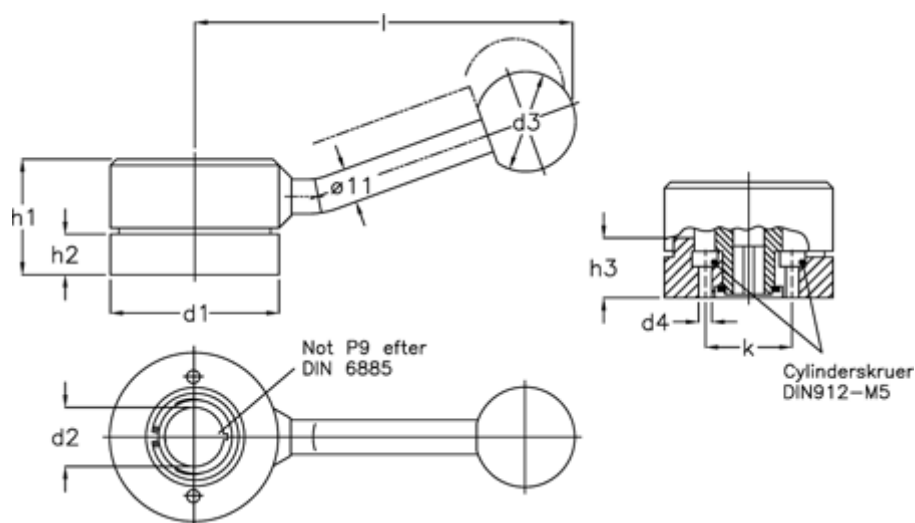


Article number: 20615231

Description: E+G Indexing lever
GN 215-54-K10-A

Measures



$d1 = 54$	K	= 30
$d2 = K10$	Length l	= 122
$d3 = 32$	W	= 22°
$d4 = 5.2$		
$d5 = 44.5$		
$h1 = 37$		
$h2 = 13$		
$h3 = 16.5$		